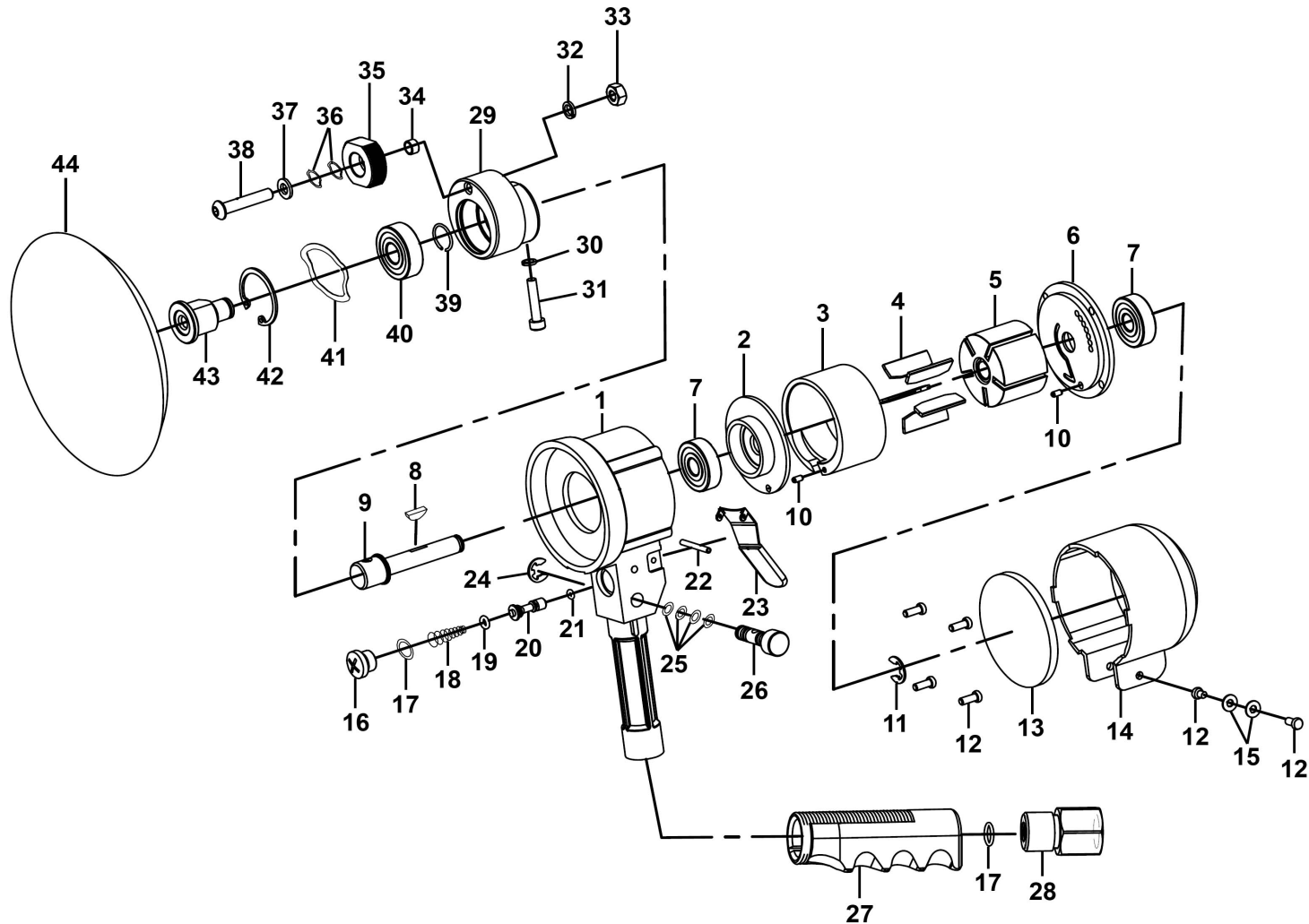




Parts Information:
Air Sander Ø150mm Random Orbital
Model No: SA77V5



NOTE: It is our policy to continually improve products and as such we reserve the right to alter data, specifications and component parts without prior notice.

There may be alternative versions of this product, please contact us should you require this information.

IMPORTANT: No liability is accepted for incorrect use of product. Spare parts must be fitted by a competent person

WARRANTY: Guarantee is 12 months from purchase date, proof of which will be required for any claim.

Sealey Group, Kempson Way, Suffolk Business Park, Bury St Edmunds, Suffolk. IP32 7AR



01284 757500



01284 703534



sales@sealey.co.uk



www.sealey.co.uk



Parts Information:
Air Sander Ø150mm Random Orbital
Model No: SA77.V5

Item	Part No.	Description
1	SA77-V5-01	Housing
2	SA77-V5-02	Front End Plate
3	SA77-V5-03	Cylinder
4	SA77-V5-04	Rotor Blade
5	SA77-V5-05	Rotor
6	SA77-V5-06	Rear End Plate
7	B/6200ZZ	Bearing 6200zz
8	SA77-V5-08	Woodruff Key (3x5x13)
9	SA77-V5-09	Work Spindle
10	SA77-V5-10	Straight Pin
11	SA77-V5-11	E-Ring
12	MSP410.SB	Machine Screw Pan Head Phillips M4 x 10mm Black
13	SA77-V5-13	Muffler
14	SA77-V5-14	End Cover
15	FWM4.S	Flat Washer M4
16	GSA20.V2-12	Valve Nut
17	SA77-V5-17	O-Ring
18	SA77-V5-18	Taper Spring
19	SA77-V5-19	O-Ring
20	SA77-V5-20	Valve Stem
21	SA77-V5-21	O-Ring
22	SA77-V5-22	Trigger Pin

Item	Part No.	Description
23	SA77-V5-23	Trigger
24	SA77-V5-24	E-Ring
25	SA77-V5-25	O-Ring
26	SA77-V5-26	Air Regulator
27	SA77-V5-27	Handle Grip
28	GSA07.07	Air Inlet Connector
29	SA77-V5-29	Eccentric
30	SWM5.SB	Spring Washer M5 Black
31	SCB525.SB	Socket Cap Bolt M5 x 25mm Black
32	SWM6.SB	Spring Washer M6 Black
33	SA77-V5-33	Hex Nut 1/4"-20UNF
34	SA77-V5-34	Valve Bushing
35	SA77-V5-35	Weight
36	SA77-V5-36	Wavey Washer
37	FWM6.SB	Flat Washer M6 Black
38	SA77-V5-38	Screw 1/4"-20UNF 32mmL
39	SA77-V5-39	Snap Ring
40	B/6201ZZ	Bearing 6201zz
41	SA77-V5-41	Wavey Washer
42	SA77-V5-42	Internal Circlip
43	SA77-V5-43	Drive Spindle
44	PTC/150VA	DA Backing Pad for Hook-and-Loop Discs Ø145mm 5/16"UNF

NOTE: It is our policy to continually improve products and as such we reserve the right to alter data, specifications and component parts without prior notice. There may be alternative versions of this product, please contact us should you require this information.

IMPORTANT: No liability is accepted for incorrect use of product. Spare parts must be fitted by a competent person

WARRANTY: Guarantee is 12 months from purchase date, proof of which will be required for any claim.

Sealey Group, Kempson Way, Suffolk Business Park, Bury St Edmunds, Suffolk. IP32 7AR



01284 757500



01284 703534



sales@sealey.co.uk



www.sealey.co.uk